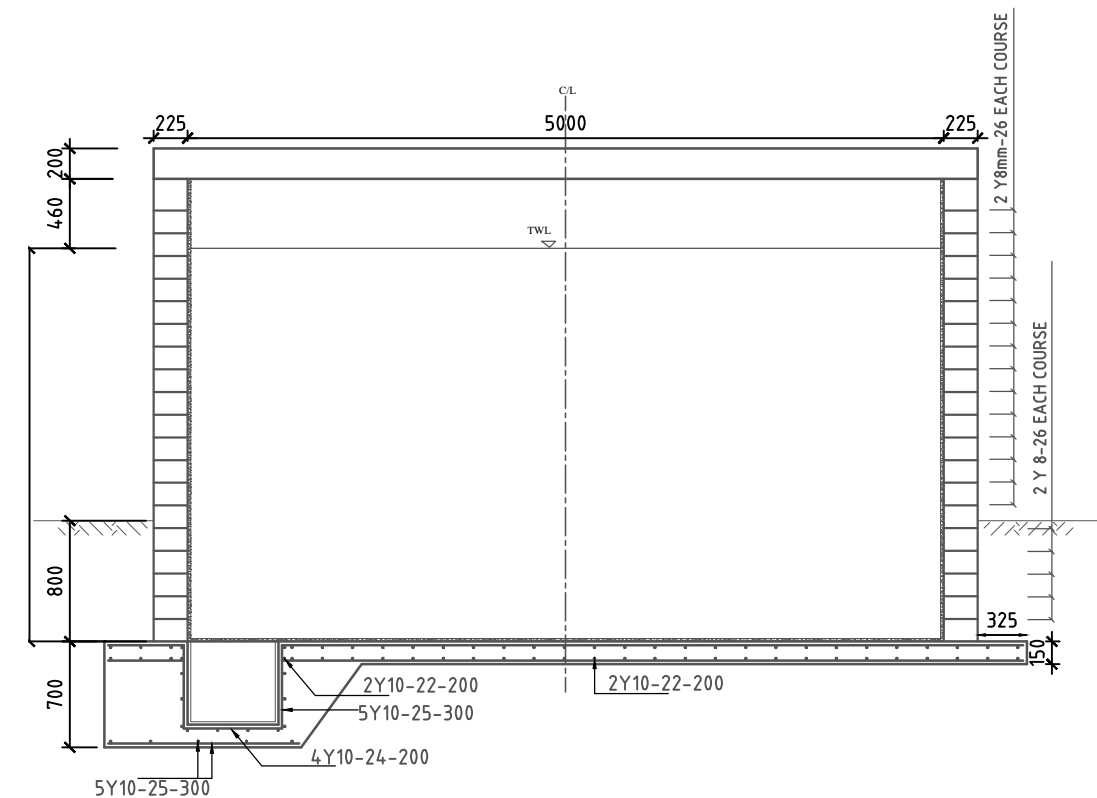
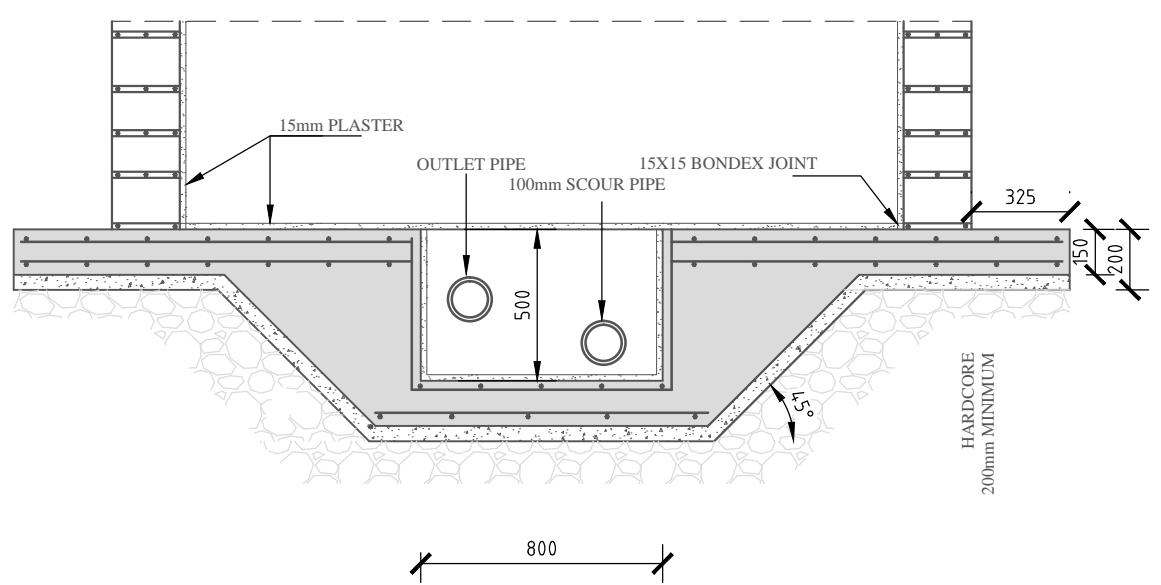


**BOTTOM REINFORCEMENT
OF FLOOR SLAB**
SCALE 1:50



SECTION THRO' CENTRE OF TANK
SCALE 1:50



CENTRAL RIFT VALLEY WATER
WORKS DEVELOPMENT AGENCY



**50 M³ MASONRY STORAGE TANK
ROOF & FLOOR SLAB REINFORCEMENT**

DRAWN	KURGAT/NGANGA	SCALE: AS SHOWN
DIGITIZED	KURGAT/NGANGA	DRG. NO.
CHECKED	MURAGE	CRVWDA
APPROVED	ENG. S.K.ORUMA	